



International Construction Equipment
 301 Warehouse Drive
 Matthews, NC 28104
 Phone: 704 821-8200
 Email info@iceusa.com



Comacchio MC 400 Hydraulic Drill Rig

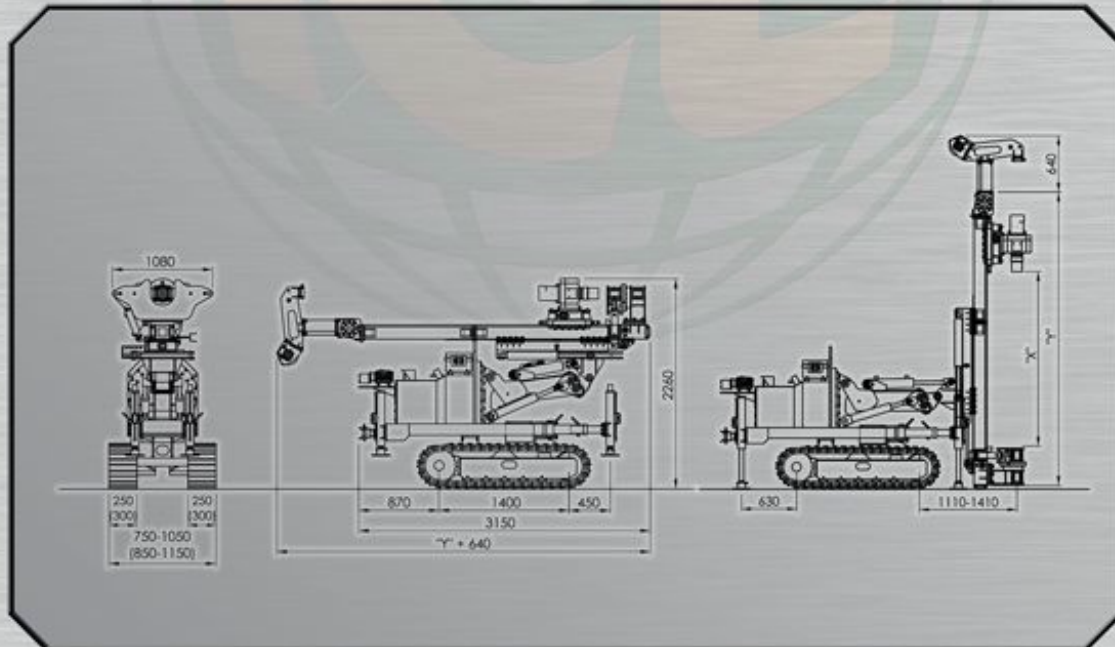
	MC 400-A		MC 400-B	
Undercarriage				
Wheel base	5.5 ft	1390 mm	5.5 ft	1390 mm
Max Width	2.5 - 3.4 ft	750 - 1050 mm	2.8 - 3.8 ft	850 - 1150 mm
Pad Width	9.8 in	250 mm	11.8 in	300 mm
Max Climbing Ability	36%		36%	
Max Speed	.62 mph	1 Km/h	.62 mph	1 Km/h
Power Pack				
Diesel Engine	DEUTZ TD2011 LO4		DEUTZ TD2011 LO4	
Engine Power	76 HP (56 Kw) / 2300 rpm		76 HP (56 Kw) / 2300 rpm	
Main Pump	39.6 gal/min	150 l/min	39.6 gal/min	150 l/min
Oil Tank	66 gal	300 l	66 gal	300 l
Fuel Tank	15.4 gal	70 l	15.4 gal	70 l
Mast				
Feed Stroke	2.9/6.9 ft	900/2100 mm	2.9/6.9 ft	900/2100 mm
Total Length	6.9/10.9 ft	2127/3327 mm	6.9/10.9 ft	2127/327 mm
Feed Force	6,744 lbs	30 kN	6,744 lbs	30 kN
Retract Force	6,744 lbs	30 kN	6,744 lbs	30 kN
Rotary Head				
Gears	2		3	
Max Torque	5,300 ft-lbs	7200 Nm	4,056 ft-lbs	5500 Nm
Max Speed	110 rpm		410 rpm	
Head Passage	3.07 in	78 mm	3.07 in	78 mm
Swivel Passage	1.5 in		1.5 in	



Comacchio MC 400 Hydraulic Drill Rig



	MC 400-A		MC 400-B	
Clamps				
Min Handling	1.8 in	45 mm	1.8 in	45 mm
Max Handling	8.7 in	220 mm	8.7 in	220 mm
Clamping Force	40,465 lbs	180 kN	40,465 lbs	180 kN
Breaking Torque	11,063 ft-lbs	15000 Nm	11,063 ft-lbs	15000 Nm
Winch				
Max Line Pull	1,124 lbs	5 kN	2,248 lbs	10 kN
Drum Capacity	118 ft	36 m	157 ft	48 m
Rope Speed	130 ft/min	40 m/min	130 ft/min	40 m/min
Rope Diameter	.23 in	6 mm	.31 in	8 mm
Dimensions				
Length	10.5 ft	3200 mm	10.5 ft	3200 mm
Width	2.5/2.8 ft	750/850 mm	2.5/2.8 ft	750/850 mm
Height	7.5 ft	2300 mm	7.5 ft	2300 mm
Weight				
	6,000 - 2,000 lbs	3700* -1500 kg	6,000 - 2,000 lbs	3700 -1500 kg



Constant improvement and engineering progress make it necessary that ICE®, Inc and COMACCHIO reserve the right to make specification changes without notice. Please consult ICE® for the latest available information.

"Due to improvements to ICE manufactured products and the EPA mandated Tier III emission regulations, unit specifications are subject to change without notice. Please contact ICE engineering department to confirm possible changes."