



International Construction Equipment
 301 Warehouse Drive
 Matthews, NC 28104
 Phone: 704 821-8200
 Email info@iceusa.com

ICE® SPOTTERS AND POWER UNITS

THREE MODELS - SPOTTERS FOR ANY JOB



High production and precise location of pile, especially on severe or compound batter.



Engineered and fabricated to provide maximum strength-to-weight ratio for superior pile rig performance.

Large-bore hydraulic cylinders provide smooth and easy pile positioning and maximum load capacity.

Multi-segment design provides minimum retracted length for driving aft batters.

Heavy-duty hydraulic lead rotators (optional on some models) provide precise pile positioning for compound batter piles.

Rear pivot design (on some models) provides significant side-to-side movement for side batters to 1:4.

Made in the USA by the industry's most technologically innovative manufacturer of foundation equipment since 1974.

Power Units

ICE® MODEL 25

Engine	CAT C1.1		
Power	26 HP	19.7	kW
Operating speed	3000 rpm	3000	rpm
Maximum motors pressure	2000 psi	135	bar
Motors flow (no load)	18 gpm	70	lpm
Weight (w/ full fluid & 1/2 fuel)	1315 lbs	595	kg
Length	53 in	1350	mm
Width	41 in	1040	mm
Height	41 in	1040	mm
Hydraulic oil capacity	30 gal	110	liters
Fuel Capacity	15 gal	56	liters

ICE® MODEL 55

Engine	CAT C2.2		
Power	50 HP	37.3	kW
Operating speed	2800 rpm	2800	rpm
Maximum motors pressure	3000 psi	190	bar
Motors flow (no load)	22 gpm	85	lpm
Weight (w/ full fluid & 1/2 fuel)	2750 lbs	1247	kg
Length	60 in	1525	mm
Width	44 in	1120	mm
Height	43 in	1090	mm
Hydraulic oil capacity	40 gal	150	liters
Fuel Capacity	17 gal	64	liters

INTERNATIONAL CONSTRUCTION EQUIPMENT, INC.

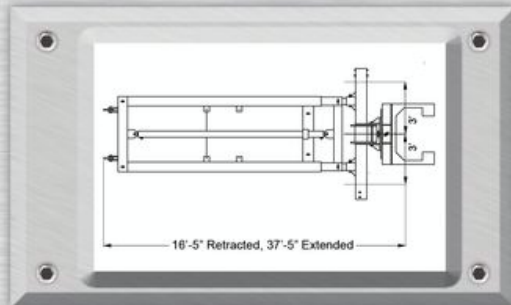
888-ICE-USA1

301 Warehouse Drive
 Matthews, NC 28104

www.iceusa.com

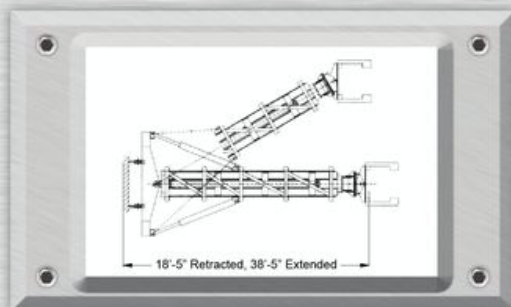
ICE® SPOTTERS AND POWER UNITS

THREE MODELS - SPOTTERS FOR ANY JOB



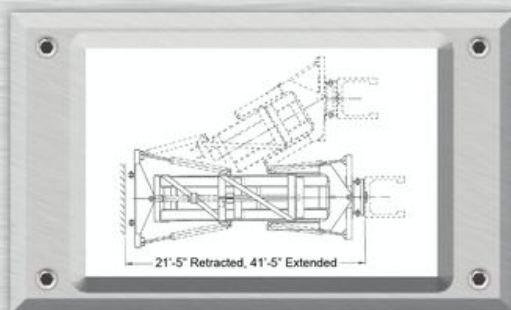
ICE® MODEL 101 SPOTTER

The ICE® Model 101 light-duty, hydraulic lead spotter provides 21 ft (10' hydraulic and 11' manual) of fore-aft movement for batters up to 1:3 plus 6 ft of side-to-side movement (3' each way from center) for plumbing. Standard items include rear, universal crane padeyes with pins, front lead connector plate, two-spool hydraulic valve, and 15' hydraulic hoses connecting spotter to valve. Total weight = 3,000 lbs (1361 kg). Hydraulic requirements are 10 to 20 gpm at 1,500 psi.



ICE® MODEL 155 SPOTTER

The ICE® Model 155 medium-duty, hydraulic lead spotter provides 17 ft of hydraulic fore-aft movement for batters up to 1:3 plus 30° side-to-side movement (each way from center) for batters up to 1:4. Standard items include rear, universal crane padeyes with pins, front lead connector angles, two-spool hydraulic valve, and 15' hydraulic hoses connecting spotter to valve. Optional items include a 30 degree (each way from center) front and lead rotator. Total weight = 6,000 lbs (2722kg). Hydraulic requirements are 10 to 20 gpm at 1,500 psi.



ICE® MODEL 225 SPOTTER

The ICE® Model 225 super-heavy-duty, hydraulic lead spotter provides 20 ft of hydraulic fore-aft movement for batters up to 1:3 plus 35° side-to-side movement (each way from center) for batters up to 1:3 plus 35° (each way from center) lead rotation. Standard items include rear, universal crane padeyes with pins, front lead connector box, three-spool hydraulic valve, and 15' hydraulic hoses connecting spotter to valve. Total weight = 10,000 lbs (4536 kg). Hydraulic requirements are 10 to 20 gpm at 2,500 psi.

CAUTION: International Construction Equipment, Inc. (ICE®) claims no expertise in crane boom design and thus makes no representation as to the suitability of any crane boom to handle the imposed side and/or torsional loads resulting from batter piling operation. ICE®, therefore, advises the equipment user to consult with their crane boom manufacturer to obtain approval for these loadings prior to erecting or operating a batter pile lead configuration.

LS-OCT-2010

INTERNATIONAL CONSTRUCTION EQUIPMENT, INC.

888-ICE-USA1

301 Warehouse Drive
Matthews, NC 28104

www.iceusa.com

"Due to improvements to ICE manufactured products and the EPA mandated Tier III emission regulations, unit specifications are subject to change without notice. Please contact ICE engineering department to confirm possible changes."