

ICE® MODEL HS7

HYDRAULIC ROTARY HEAD

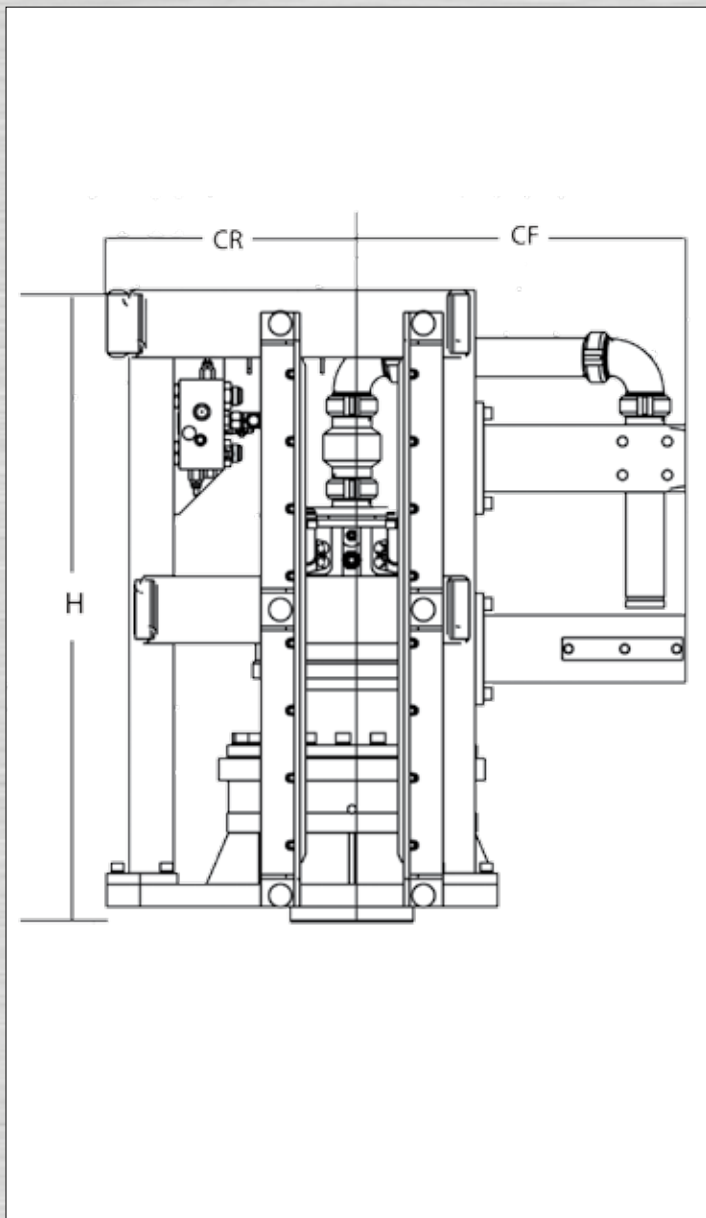


Designed specifically for simple, efficient operation on small to medium auger cast and pre-drill jobs.

Maximum torque of 7,000 ft-lbs. (9490 Nm)

Up to 340 rpm drilling speed (150 rpm with ICE® Model 230M power unit).

Maximum crowd and extract force of 20,000 lbs (90 kN).



Angle guides for 26" (660 mm) leads. Optional guides for leads side-mount or H-Beam available.

Available Hex or API auger flighting connectors.

Hollow output shaft. Optional swivel for injecting air, water or grout.

Open-loop hydraulic system for reliability and quick, simple unit serviceability.

High efficient, direct-drive hydraulic motor gives maximum reliability and production.

Optional Model 230M power unit is compact, lightweight and incorporates a central lifting eye for maximum mobility.

ICE® power units may be used for other ICE® equipment including vibrators and hydraulic impact hammers.

Made in USA by ICE®, America's leader in cost-effective foundation equipment since 1974.

Environmentally friendly Chevron Clarity® non-toxic, biodegradable hydraulic oil contributes to a clean and toxin-free jobsite.

EPA-certified Caterpillar engine provides high reliability, worldwide parts and service, excellent fuel economy and low emissions.

INTERNATIONAL CONSTRUCTION EQUIPMENT, INC.

301 Warehouse Dr.
Matthews, NC 28104 USA
888-ICE-USA1
sales@iceusa.com | www.iceusa.com

ICE[®] MODEL HS7

HYDRAULIC ROTARY HEAD



WITH ICE[®] MODEL 230M POWER UNITS

PERFORMANCE	WITH ICE 230M		MAXIMUMS	
Torque (ft-lbs, Nm)	7,000 ft-lbs	9490 Nm	7,000 ft-lbs	9490 Nm
Speed (rpm)	150 rpm		340 rpm	

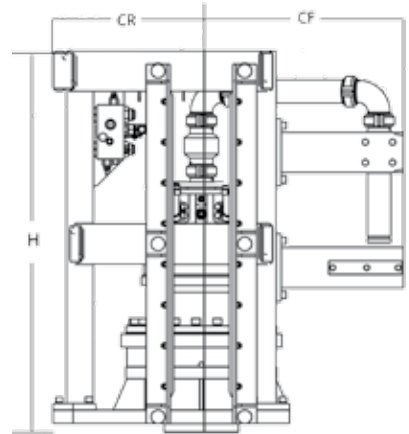
* Speeds are shown for free-hanging (no-load) units. Speed under actual drilling conditions may be 10% to 15% lower.

** Maximum torque requires a power unit capable of 4,500 psi (310 bar).

** Maximum speed requires a power unit capable of 180 gpm (680 lpm).

** Recommended max power for the HS7 is 400 HP (300 kW).

CAPABILITIES, WEIGHTS & DIMENSIONS				
Crowd Force	13,900	lbs	6300	kg
Extraction Force	13,900	lbs	6300	kg
Optional Shaft ID	2 1/8"	in	54	mm
Optional Swivel ID	3"	in	75	mm
Weight with Guide & Swivel	3,100	lbs	1405	kg
Weight of 100' (30m) Hoses	830	lbs	375	kg
Height (H)	59"	in	1500	mm
Width with Leads	31"	in	790	mm
Depth (CF + CR)	33.5"	in	850	mm
Center to Front (CF)	22.75"	in	580	mm
Center to Rear (CR)	10.75"	in	275	mm



POWER UNIT SPECIFICATIONS				
	Model 230M			
Engine	CAT	C6.6	Tier 3	
Power	225	HP	168	kW
Flow (no load)	73	gpm	275	lpm
Max Pressure	4,500	psi	310	bar
Weight	9,310	lbs	4225	mm
Length	110	in	2800	mm
Height	77	in	1960	mm
Width	58	in	1475	mm

Constant improvement and engineering progress make it necessary that ICE[®], Inc reserve the right to make specification changes without notice. Please consult ICE[®] for the latest available information.

RH-HS7-Mar-2012