

ICE® Model 44B Hydraulic Vibratory Driver/ Extractor with Model 580Q Power Unit



- Highest frequency (1800 vpm) and driving force (207 tons, 1844 kN) in its class.
- 580HP (432 kW) CAT C15 Tier 4 Interim (Stage IIIB) engine meets all EPA & EU emission regulations.
- Up to 80 tons (725 kN) line pull for extraction. Quite power unit for noise sensitive areas.

Optional bias weights up to 5500 lbs (2494 kg) to increase pile penetration rates in difficult soils.

Maximum efficiency and reliability are provided by our open-loop hydraulic system & application proven piston pumps and motors.

Remote-control pendant for vibrator and clamp with emergency stop. Engine speed control for fuel efficiency.

Full range of clamps available for sheet piling, H-Beams, pipe & caissons and timber & concrete piles.

Adaptable for underwater, low headroom or box leads operation.

Heavy steel enclosure and fuel-tank subbase protect power unit.

Environmentally friendly Chevron Clarity® non-toxic, biodegradable hydraulic oil.

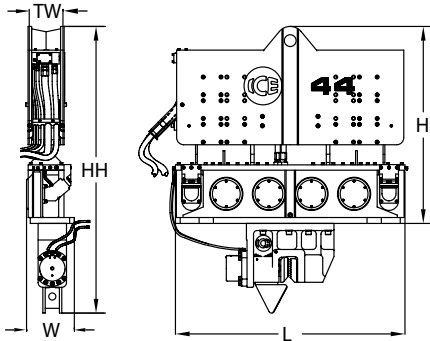
Designed and manufactured in the USA by ICE®, world leader in cost-effective foundation equipment since 1974.



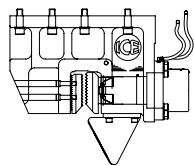
ICE® Model 44B Hydraulic Vibratory Driver/ Extractor with Model 580Q Power Unit



Dimensions

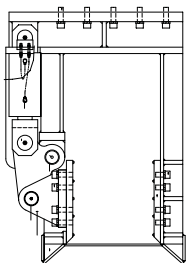


Clamps & Accessories



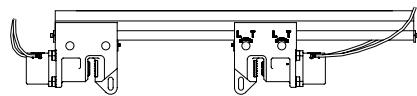
**Model 140C
Sheeting
Clamp**

Clamping force
140 tons, 1245 kN
Weight
2,200 lbs, 1000 kg



**Model 85
Wood, Concrete
& Pipe Clamp**

Clamping force
85 tons, 756 kN
Weight
6,500 lbs, 2950 kg



**6.5' Caisson Beam with
Model 100BH Caisson Clamps**

Clamping force
220 tons, 1975 kN
Weight
3,285 lbs, 1500 kg

Other Model 44B Accessories

6' & 12' Caisson beams 26" leads sled
10' Clamp extension Low-headroom suppressor
90° Turning plate Vibrator stand
Bias weights Wireless remote

Model 44B Vibrator Specifications

Eccentric moment	4,400 in-lbs	51 kg-m
Maximum frequency	1800 vpm	
Driving force	207 tons	1 844 kN
Centrifugal force	202 tons	1 789 kN
Amplitude (free w/o clamp)	1.1 in	28 mm
Standard line pull for extracting	54 tons	483 kN
Maximum line pull for extracting	80 tons	725 kN
Weight (no clamp or hoses)	12,450 lbs	5 647 kg
Non-vibrating weight	4,560 lbs	2 068 kg
Height without clamp (H)	84 in	2 134 mm
Length (L)	98 in	2 470 mm
Width (W)	22 in	560 mm
Throat width (TW)	14.25 in	362 mm
Hydraulic hose length	150 ft	46 m
Hydraulic hose weight	1,555 lbs	705 kg
Height with sheeting clamp* (HH)	122 in	3 096 mm
Weight with sheeting clamp & 1/2 hoses*	15,430 lbs	7 000 kg
Height with beam & caisson clamps*	110 in	2 784 mm
Weight with beam & caisson clamps*	17,840 lbs	8 090 kg

* See "Clamps and Accessories Manual" for in depth description

Model 580Q Power Unit Specifications

Engine	Caterpillar C15 T4M	
Power	580 HP	432 kW
Operating speed	1,800 rpm	1 800 rpm
Max. motors pressure	5,500 psi	380 bar
Motors flow (no load)	157 gpm	600 lpm
Clamp pressure	4,500 psi	310 bar
Clamp flow	6 gpm	21 lpm
Weight (w/ full fluid & 1/2 fuel)	18,800 lbs	8 530 kg
Length	190 in	4 825 mm
Width	72 in	1 830 mm
Height	111 in	2 820 mm
Hydraulic reservoir	430 gal	1 630 liters
Fuel capacity	150 gal	570 liters

International Construction Equipment, Inc.
301 Warehouse Drive
Matthews, NC 28104 USA
888-ICE-USA1 / 704-821-8200
sales@iceusa.com / www.iceusa.com

Constant improvement and engineering progress make it necessary that ICE®, Inc reserve the right to make specification changes without notice. Please consult ICE® for the latest available information.

©International Construction Equipment, Inc. All rights reserved. January 2012.