

ICE® Model 55B Hydraulic Vibratory Driver/ Extractor with Model 580Q Power Unit



Combines high frequency (1500 vpm) and large eccentric moment (5,500 in-lbs, 63 kg-m).
580HP (432 kW) CAT C15 Tier 4 Interim (Stage IIIB) engine meets all EPA & EU emission regulations.
Up to 80 tons (725 kN) line pull for extraction.



Optional bias weights up to 5,500 lbs (2494 kg) to increase pile penetration rates in difficult soils.

Maximum efficiency and reliability are provided by our open-loop hydraulic system and application proven piston pumps and motors.

Remote-control pendant for vibrator and clamp with emergency stop. Engine speed control for fuel efficiency.

Full range of clamps available for sheet piling, H-Beams, pipe & caissons in addition to timber & concrete piles.

Adaptable for underwater, low headroom or box leads operation.

Heavy steel enclosure and fuel-tank subbase protect power unit.

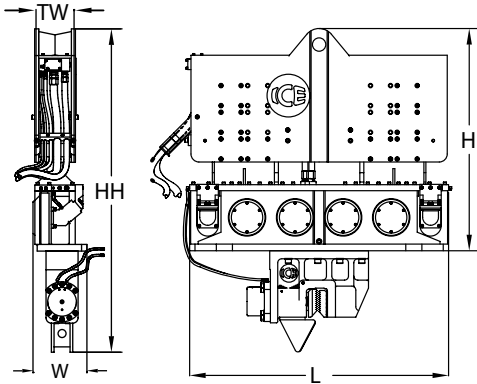
Environmentally friendly Chevron Clarity® non-toxic, biodegradable hydraulic oil.

Designed and manufactured in the USA by ICE®, world leader in cost-effective foundation equipment since 1974.

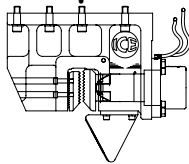
ICE® Model 55B Hydraulic Vibratory Driver/ Extractor with Model 580Q Power Unit



Dimensions

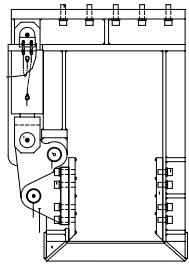


Clamps & Accessories



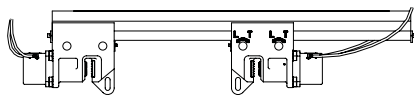
Model 140C Sheeting Clamp

Clamping force
140 tons, 1245 kN
Weight
2,200 lbs, 1000 kg



Model 85 Wood, Concrete & Pipe Clamp

Clamping force
85 tons, 756 kN
Weight
6,500 lbs, 2950 kg



6.5' Caisson Beam with Model 142BH Caisson Clamps

Clamping force
284 tons, 2527 kN
Weight
6,100 lbs, 2267 kg

Other Model 55B Accessories

12' Caisson beam 26" leads sled
10' Clamp extension Low-headroom suppressor
90° Turning plate Vibrator stand
Bias weights Wireless remote

Model 55B Vibrator Specifications

Eccentric moment	5,500 in-lbs	63 kg-m
Maximum frequency	1500 vpm	
Driving force	181 tons	1 610 kN
Centrifugal force	175 tons	1 555 kN
Amplitude (free w/o clamp)	1.4 in	34 mm
Standard line pull for extracting	54 tons	483 kN
Maximum line pull for extracting	80 tons	725 kN
Weight (no clamp or hoses)	12,660 lbs	5 740 kg
Non-vibrating weight	4,560 lbs	2 068 kg
Height without clamp (H)	84 in	2 134 mm
Length (L)	97 in	2 464 mm
Width (W)	21 in	534 mm
Throat width (TW)	14.25 in	362 mm
Hydraulic hose length	150 ft	46 m
Hydraulic hose weight	1,555 lbs	705 kg
Height with sheeting clamp* (HH)	122 in	3 096 mm
Weight with sheeting clamp & 1/2 hoses*	15,635 lbs	7 090 kg
Height with beam & caisson clamps*	110 in	2 784 mm
Weight with beam & caisson clamps*	18,050 lbs	8 185 kg

* See "Clamps and Accessories Manual" for in depth description

Model 580Q Power Unit Specifications

Engine	Caterpillar C15	
Power	580 HP	432 kW
Operating speed	1,800 rpm	1 800 rpm
Max. motors pressure	5,500 psi	380 bar
Motors flow (no load)	160 gpm	610 lpm
Clamp pressure	4,500 psi	310 bar
Clamp flow	6 gpm	21 lpm
Weight (w/ full fluid & 1/2 fuel)	18,800 lbs	8 530 kg
Length	190 in	4 825 mm
Width	72 in	1 830 mm
Height	111 in	2 820 mm
Hydraulic reservoir	430 gal	1 630 liters
Fuel capacity	150 gal	570 liters

International Construction Equipment, Inc.
301 Warehouse Drive
Matthews, NC 28104 USA
888-ICE-USA1 / 704-821-8200
sales@iceusa.com / www.iceusa.com

Constant improvement and engineering progress make it necessary that ICE®, Inc reserve the right to make specification changes without notice. Please consult ICE® for the latest available information.

©International Construction Equipment, Inc. All rights reserved. January 2012.