



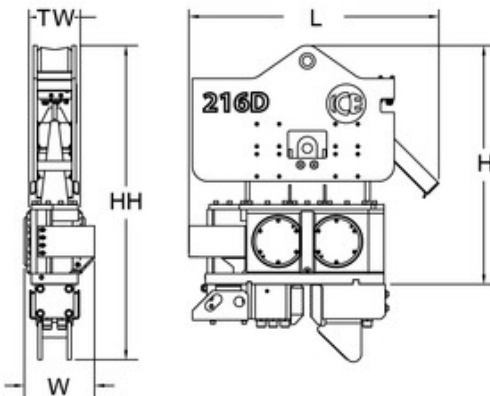
International Construction Equipment
 301 Warehouse Drive
 Matthews, NC 28104
 Phone: 704 821-8200
 Email info@iceusa.com

ICE® Model 216D Hydraulic Vibratory Driver/Extractor with Model 150G Power Unit



WWW.ICEUSA.COM
 888-ICE-USA1

Design combines high eccentric moment (1,100 in-lbs, 12.6 kg-m) and suspended weight with clamp of 5,225 lbs (2370 kg)
 Lighter weight for increased reach or use with smaller cranes
 Reduced height for better access in low-overhead situations
 Up to 50 tons (445 kN) line pull for extraction



ICE Model 216D Vibratory Pile Hammer		
Eccentric moment	1100 in-lbs	12.6 kg-m
Maximum frequency	1700 vpm	
Driving Force	47 tons	420 kN
Centrifugal force	45 tons	400 kN
Amplitude (free w/o clamp)	1 in	25 mm
Standard line pull for extracting	50 tons	445 kN
Maximum line pull for extracting	50 tons	445 kN
Weight (no clamp or hoses)	3650 lbs	1655 kg
Non-vibrating Weight	1400 lbs	635 kg
Height without clamp (H)	62 in	1565 mm
Length (L)	64 in	1615 mm
Width (W)	16 in	395 mm
Throat width (TW)	12 in	305 mm
Hydraulic hose length	100 ft	30 m
Hydraulic hose weight	850 lbs	385 kg
Height with sheeting clamp (HH)	91 in	2290 mm
Weight with sheeting clamp & 1/2 hoses	5225 lbs	2370 kg
Height with beam & caisson clamps	91 in	2295 mm
Weight with beam, caisson clamps & 1/2 hoses	7085 lbs	3215 kg

ICE Model 150G Power Unit		
Engine	Caterpillar C4.4	
Emissions rating	EPA Flex	EU Flex
Power	142 HP	106 kW
Operating speed	2000 rpm	2000 rpm
Maximum motors pressure	2500 psi	175 bar
Motors flow (no load)	75 gpm	300 lpm
Clamp pressure	2400 psi	165 bar
Clamp flow	6 gpm	25 lpm
Weight (w/ full fluid & 1/2 fuel)	6,500 lbs	2950 kg
Length	102 in	2590 mm
Width	50 in	1270 mm
Height	75 in	1915 mm
Hydraulic oil capacity	185 gal	700 liters
Fuel Capacity	75 gal	280 liters

DESIGNED AND MANUFACTURED IN USA BY ICE®

WORLD LEADER IN COST-EFFECTIVE FOUNDATION EQUIPMENT SINCE 1974.

Constant improvement and engineering progress make it necessary that ICE®, Inc reserve the right to make specification changes without notice. Please consult ICE® for the latest available information.

ICE® Model 216D Hydraulic Vibratory Driver/Extractor with Model 150G Power Unit



WWW.ICEUSA.COM
888-ICE-USA1

Patented Dual-pull™ suppressor provides maximum vibration isolation during driving and light extraction combined with high pull capability for tough extraction jobs.

142 HP (106 kW) CAT C4.4 meets EPA/EU Flex emission regulations.

Optional 2,650 lbs (1200 kg) of bias weight increases pile penetration rates in difficult soils.

Full range of clamps available for sheet piling, H-Beams, pipe & caissons and timber & concrete piles.

Maximum efficiency and reliability ensured by our open-loop hydraulic system. Highest quality, reliable piston pumps and motor.

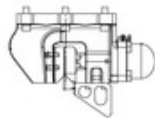
Remote-control pendant for vibrator and clamp with emergency stop.
Engine speed control for fuel efficiency.

Environmentally friendly non-toxic, biodegradable hydraulic oil.

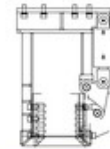
Adaptable for underwater, low headroom or box leads operation.

Clamps & Accessories

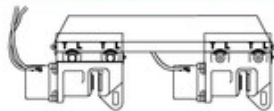
ICE Model 95 Sheeting Clamp			
Clamping Force	110 tons	985 kN	
Weight	1150 lbs	522 kg	



ICE Model 40 Wood Concrete and Pipe Clamp			
Clamping Force	40 tons	355 kN	
Weight	3220 lbs	1460 kg	



ICE 3' Beam and Two Model 105H Caisson Clamps			
Clamping Force	220 tons	1960 kN	
Weight	3320 lbs	1510 kg	



ICE Model 25B Wood Concrete and Pipe Clamp			
Clamping Force	25 tons	222 kN	
Weight	2000 lbs	900 kg	

Other Model 216D Accessories

Bias weights
Vibrator stand

DESIGNED AND MANUFACTURED IN USA BY ICE®

WORLD LEADER IN COST-EFFECTIVE FOUNDATION EQUIPMENT SINCE 1974.

"Due to improvements to ICE manufactured products and the EPA mandated Tier III emission regulations, unit specifications are subject to change without notice. Please contact ICE engineering department to confirm possible changes."