

ICE[®] Model 55C Hydraulic Vibratory Driver/ Extractor with Model 800E Power Unit



Combines high frequency (1600 vpm) and large eccentric moment (5,500 in-lbs, 63 kg-m). 800HP (597 kW) CAT C18 Tier 3 (Stage IIIA) engine meets all EPA & EU emission regulations. Up to 80 tons (725 kN) line pull for extraction.



Computer controls on power unit reduce fuel consumption, pinpoint repair needs, while providing diagnostics and logs.

Optional bias weights up to 5500 lbs (2495 kg) to increase pile penetration rates in difficult soils.

Maximum efficiency and reliability are provided by our open-loop hydraulic system and application proven piston pumps and motors.

Remote-control pendant for vibrator and clamp with emergency stop. Engine speed control for fuel efficiency.

Full range of clamps available for sheet piling, H-Beams, pipe & caissons in addition to timber & concrete piles.

Adaptable for underwater, low headroom or box leads operation.

Heavy steel enclosure and fuel-tank subbase protect power unit.

Environmentally friendly Chevron Clarity[®] non-toxic, biodegradable hydraulic oil.

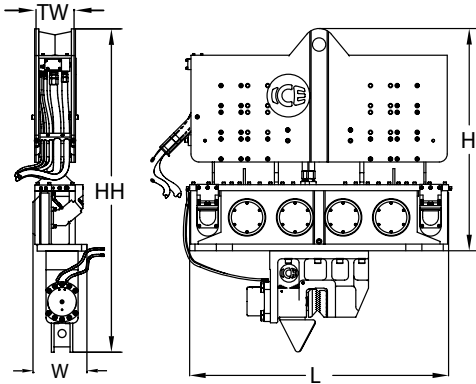
Designed and manufactured in the USA by ICE[®], world leader in cost-effective foundation equipment since 1974.

ICE[®] Model 55C

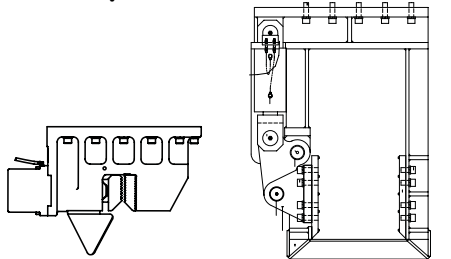
Hydraulic Vibratory Driver/ Extractor with Model 800E Power Unit



Dimensions



Clamps & Accessories

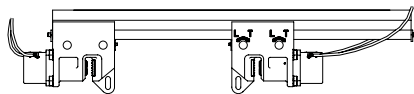


Model 196C Sheeting Clamp

Clamping force
196 tons, 1744 kN
Weight
2,900 lbs, 1315 kg

Model 85 Wood, Concrete & Pipe Clamp

Clamping force
85 tons, 756 kN
Weight
6,500 lbs, 2950 kg



6.5' Caisson Beam with Model 100BH Caisson Clamps

Clamping force
220 tons, 1975 kN
Weight
3,285 lbs, 1500 kg

Other Model 55B Accessories

| | |
|---------------------|-------------------------|
| 12' Caisson beam | 26" leads sled |
| 10' Clamp extension | Low-headroom suppressor |
| 90° Turning plate | Vibrator stand |
| Bias weights | Wireless remote |

Model 55C Vibrator Specifications

| | | |
|---|--------------|---------|
| Eccentric moment | 5,500 in-lbs | 63 kg-m |
| Maximum frequency | 1600 vpm | |
| Driving force | 182 tons | 1621 kN |
| Centrifugal force | 176 tons | 1566 kN |
| Amplitude (free w/o clamp) | 1.4 in | 34 mm |
| Standard line pull for extracting | 54 tons | 483 kN |
| Maximum line pull for extracting | 80 tons | 725 kN |
| Weight (no clamp or hoses) | 12,660 lbs | 5740 kg |
| Non-vibrating weight | 4,560 lbs | 2068 kg |
| Height without clamp (H) | 84 in | 2134 mm |
| Length (L) | 97 in | 2464 mm |
| Width (W) | 21 in | 534 mm |
| Throat width (TW) | 14.25 in | 362 mm |
| Hydraulic hose length | 150 ft | 46 m |
| Hydraulic hose weight | 1,425 lbs | 646 kg |
| Height with sheeting clamp* (HH) | 122 in | 3096 mm |
| Weight with sheeting clamp & 1/2 hoses* | 15,570 lbs | 7065 kg |
| Height with beam & caisson clamps* | 110 in | 2784 mm |
| Weight with beam & caisson clamps* | 16,440 lbs | 7460 kg |

* See "Clamps and Accessories Manual" for in depth description

Model 800E Power Unit Specifications

| | | |
|-----------------------------------|-----------------|-------------|
| Engine | Caterpillar C18 | |
| Power | 800 HP | 597 kW |
| Operating speed | 1,800 rpm | 1800 rpm |
| Max. motors pressure | 5,500 psi | 380 bar |
| Motors flow (no load) | 250 gpm | 950 lpm |
| Clamp pressure | 4,500 psi | 310 bar |
| Clamp flow | 6 gpm | 21 lpm |
| Weight (w/ full fluid & 1/2 fuel) | 26,500 lbs | 12020 kg |
| Length | 218 in | 5540 mm |
| Width | 80 in | 2035 mm |
| Height | 104 in | 2630 mm |
| Hydraulic reservoir | 550 gal | 2080 liters |
| Fuel capacity | 200 gal | 750 liters |

International Construction Equipment, Inc.
301 Warehouse Drive
Matthews, NC 28104 USA
888-ICE-USA1 / 704-821-8200
sales@iceusa.com / www.iceusa.com

Constant improvement and engineering progress make it necessary that ICE[®], Inc reserve the right to make specification changes without notice. Please consult ICE[®] for the latest available information.

©International Construction Equipment, Inc. All rights reserved. May 2010.