



International Construction Equipment  
 301 Warehouse Drive  
 Matthews, NC 28104  
 Phone: 704 821-8200  
 Email [info@iceusa.com](mailto:info@iceusa.com)

## ICE® Model 84C Hydraulic Vibratory Driver/Extractor with Model 1200E Power Unit

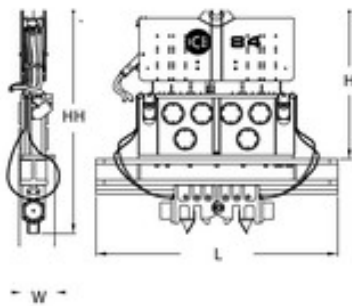


WWW.ICEUSA.COM  
 888-ICE-USA1

Design combines large eccentric moment (8,200 in.-lbs, 94 kg-m) and high frequency (1650 vpm) for maximum driving performance

Twin 595HP (444 kW) CAT C15's meet current EPA Flexibility emission regulations

Up to 125 tons (1125 kN) line pull for extraction



### ICE Model 84C Vibratory Pile Hammer

Eccentric moment	8200 in.-lbs	95 kg-m
Maximum frequency	1715 vpm	
Driving Force	349 tons	3105 kN
Centrifugal force	340 tons	3050 kN
Amplitude (free w/o clamp)	1.4 in	37 mm
Standard line pull for extracting	95 tons	850 kN
Maximum line pull for extracting	125 tons	1125 kN
Weight (no clamp or hoses)	15,960 lbs	7240 kg
Non-vibrating Weight	4560 lbs	2070 kg
Height without clamp (H)	101 in	2550 mm
Length (L)	98 in	2485 mm
Width (W)	21 in	530 mm
Throat width (TW)	14.25 in	362 mm
Hydraulic hose length	150 ft	46 m
Hydraulic hose weight	2400 lbs	1090 kg
Height with sheeting clamp (HH)	147 in	3720 mm
Weight with sheeting clamp & 1/2 hoses	23,000 lbs	10440 kg
Height with beam & caisson clamps	153 in	3880 mm
Weight with beam, caisson clamps & 1/2 hoses	27,900 lbs	12645 kg

### ICE Model 1200E Power Unit

Engine	Caterpillar 2x C15	
Emissions rating	EPA Flex	EU Flex
Power	1190 HP	887 kW
Operating speed	1800 rpm	1800 rpm
Maximum motors pressure	5500 psi	380 bar
Motors flow (no load)	255 gpm	965 lpm
Clamp pressure	4500 psi	310 bar
Clamp flow	6 gpm	22 lpm
Weight (w/ full fluid & 1/2 fuel)	32,500 lbs	14740 kg
Length	224 in	5700 mm
Width	84 in	2135 mm
Height	114 in	2900 mm
Hydraulic oil capacity	550 gal	2080 liters
Fuel Capacity	430 gal	1625 liters

DESIGNED AND MANUFACTURED IN USA BY ICE®

WORLD LEADER IN COST-EFFECTIVE FOUNDATION EQUIPMENT SINCE 1974.

Constant improvement and engineering progress make it necessary that ICE®, Inc reserve the right to make specification changes without notice.  
 Please consult ICE® for the latest available information.

# ICE® Model 84C Hydraulic Vibratory Driver/Extractor with Model 1200E Power Unit



Patented Dual-pull™ suppressor provides maximum vibration isolation during driving and light extraction combined with high pull capability for tough extraction jobs.

Optional 5,500 lbs (2495 kg) of bias weight increases pile penetration rates in difficult soils.

Full range of clamps available for sheet piling, H-Beams, pipe & caissons and timber & concrete piles.

Maximum efficiency and reliability ensured by our open-loop hydraulic system. Highest quality, reliable piston pumps and motors.

Remote-control pendant for vibrator and clamp with emergency stop. Engine speed control for fuel efficiency.

Environmentally friendly non-toxic, biodegradable hydraulic oil.

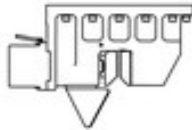
Adaptable for underwater, low headroom or box leads operation.

Heavy steel enclosure and fuel-tank subbase protect power unit.



## Clamps & Accessories

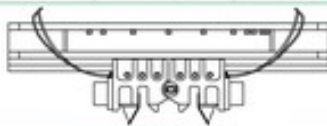
ICE Model 385 Sheeting Clamp		
Clamping Force	385 tons	3430 kN
Weight	5850 lbs	2655 kg



ICE Model 165 Wood Concrete and Pipe Clamp		
Clamping Force	165 tons	1470 kN
Weight	12,710 lbs	5765 kg



ICE 10' Beam & 2 Model 180 Clamps		
Clamping Force	392 tons	3488 kN
Weight	11840 lbs	5370 kg



ICE 15' Beam & 2 Model 180 Clamps		
Clamping Force	392 tons	3488 kN
Weight	27980 lbs	9960 kg

## Model 84C Accessories

- Low-headroom suppressor
- Wireless Remote
- Bias weights
- Vibrator stand
- Sled for 32" leads

**DESIGNED AND MANUFACTURED IN USA BY ICE®**  
**WORLD LEADER IN COST-EFFECTIVE FOUNDATION EQUIPMENT SINCE 1974.**

©International Construction Equipment, Inc. All rights reserved. September 2017.

"Due to improvements to ICE manufactured products and the EPA mandated Tier III emission regulations, unit specifications are subject to change without notice. Please contact ICE engineering department to confirm possible changes."